

Low Profile Compact Scale



SJ-HSF Compact Scales are perfect for food service, stores, post offices, industries, factories, schools, laboratories, warehouses, offices, home use and a wide range of other diverse weighing applications are possible.

Features

- Fast Stability Time for accurate measurements in less than 1 second
- Stainless Steel Construction for lightweight, durable product performance
- Multiple Weighing Units for maximum flexibility (g, lb, oz, and lb-oz [SJ-50001HS Only] available)
- Status Indication Function that shows Battery, Stable, Zero, and Net

Benefits

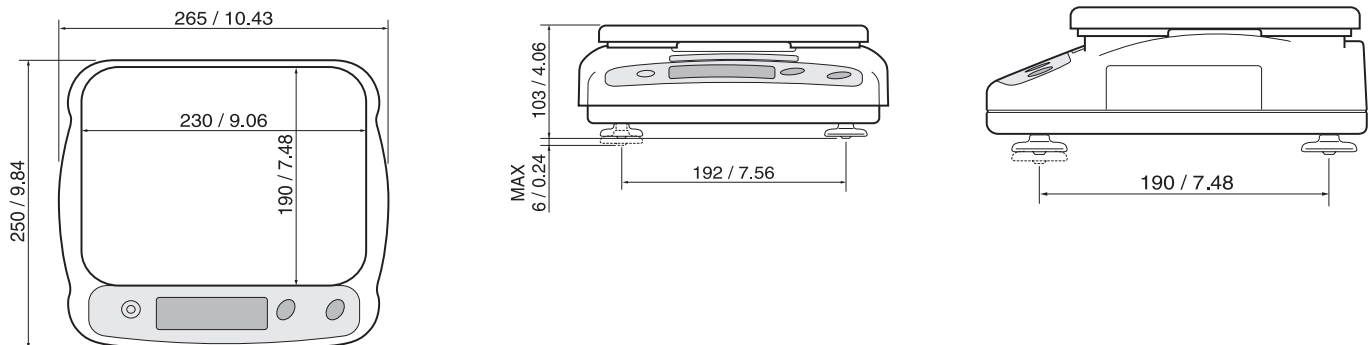
- Large Weighing Pan (9 x 7 in, 230 x 190 mm) allows for variety of sample sizes
- Flexible Power Options both battery and AC power options for your convenience
- Easy Adjustable Leveling with Guide to save you time and ensure accuracy
- Lightweight Portability to allow you to take the scale anywhere you need measurements

Specifications

Models	SJ-1000HSF	SJ-2000HSF	SJ-5000HSF	SJ-5001-HSF	SJ-12KHSF	SJ-20KHSF	SJ-30KHSF
Capacity x Resolution	1000 x 0.5 g	2000 x 1 g	5000 x 2 g	5000 x 1 g	12 x 0.005 kg	20 kg x 10 g	30 kg x 20 g
	2.2 x 0.001 lb	4.4 x 0.002 lb	11 x 0.005 lb	11 x 0.005 lb	26 x 0.01 lb	44 x 0.02 lb	66 x 0.05 lb
	35 x 0.02 oz	70 x 0.05 oz	176 x 0.1 oz	176 x 0.1 oz	423 x 0.2 oz	705 x 0.5 oz	1058 x 1 oz
	N/A	N/A	N/A	11 lb x 0.1 oz	N/A	N/A	N/A
Linearity	1 g	2 g	5 g	5 g	10 g	20 g	20 g
Repeatability (std. deviation)	1 g	2 g	5 g	5 g	10 g	20 g	20 g
Span drift	0.015% / CTYP (5 to 35 °C / 41 to 95 °F)						
Display	Liquid Crystal Display, 25 mm / 0.98 in						
Operating temperature	-10 to 40 °C / 14 to 104 °F, less than 85% RH (No condensation)						
Display update	Approx. 10 times per second						
Power	4 x "D" size batteries or AC adapter						
Battery life	Approx. 800 hours with alkaline cells at 20 °C / 68 °F						
Pan size (WxD)	230 x 190 mm / 9.05 x 7.48 in						
Dimensions (WxDxH)	265 x 250 x 103 mm / 10.4 x 9.8 x 4.1 in						
Weight	Approx. 2.1 kg / 4.6 lb						
Calibration mass	1000 g	2000 g	2000 g	5000 g	10 kg	20 kg	30 kg

Specifications subject to change for improvement without notice

Dimensions (mm/inches)



Options (Order Separately)

TB:662 AC adapter 110-220V