

# Instruction Manual for "Tabletop Breeze Break (M)" included in accessory of BM-5/5D series

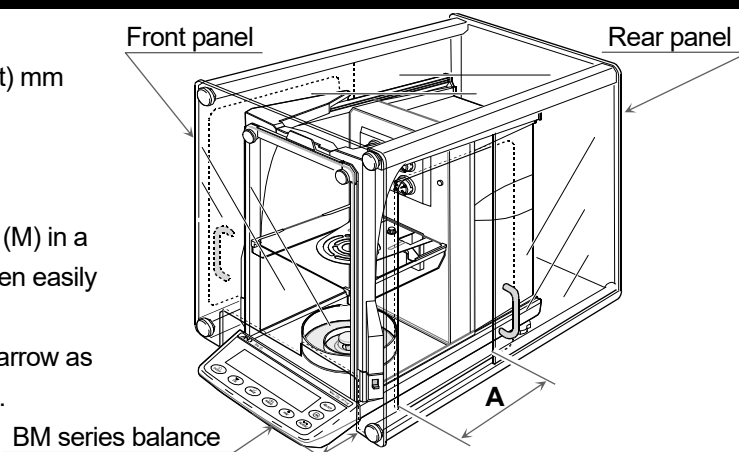
This manual describes for the "Tabletop Breeze Break (M)" (Order code: AD-1676) included in accessory of BM-5/5D series.

## 1. Features

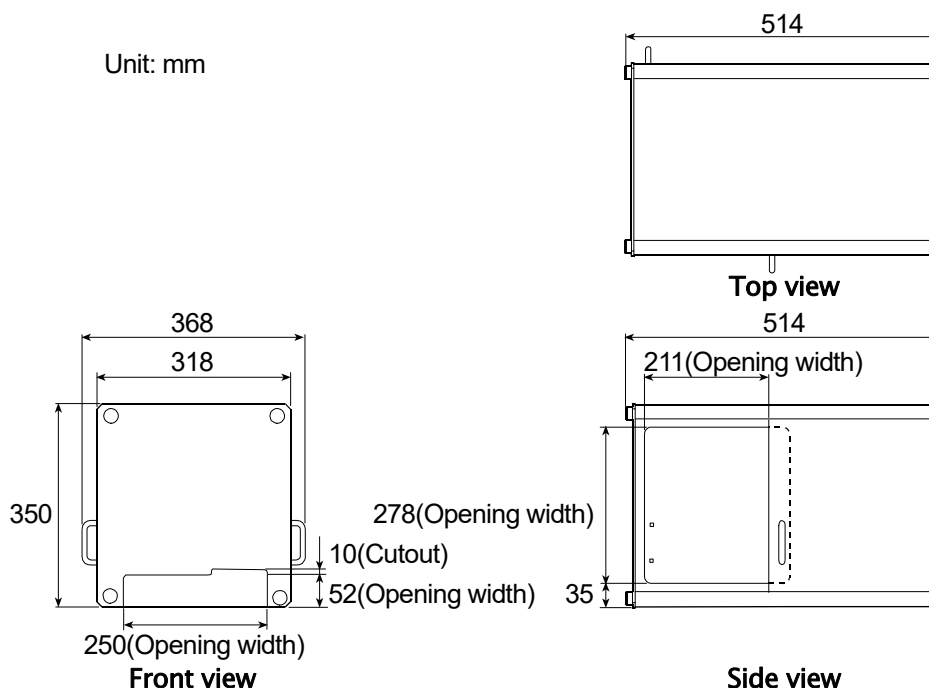
- This breeze break is used to prevent from ambient drafts due to air conditioning and body motion so as to reduce weighing error.
- This breeze break is designed for the BM series with most suitable use.
- The transparent panel assembly consists of antistatic plastic material, which protects the balance from static electricity.
- The rear panel is equipped the hole that is used to pass the RS-232C and AC adapter cables through.

## 2. Specifications

- Weight : Approximately 4 kg
- Size : 368 (Width) x 514 (Depth) x 350 (Height) mm
- Material : Transparent panel : Antistatic plastic  
Rear panel / Frame : Aluminum
- Applicable models (BM series balance)
- \* We recommend to install the tabletop breeze break (M) in a position where the display of the balance can be seen easily and the balance can be operated properly.
- \* Minimize the opening width **A** of the slide door as narrow as possible so as to reduce influence of ambient drafts.



## 3. External Dimensions



### Caution

- Do not use organic solvents to clean the breeze break because it may damage the transparency and anti-static properties of the panels.
- Use a soft lint free cloth dampened with warm water and a mild detergent when cleaning the breeze break.

**A&D Company, Limited**

3-23-14 Higashi-Ikebukuro, Toshima-ku, Tokyo 170-0013 JAPAN  
Telephone: [81] (3) 5391-6132 Fax: [81] (3) 5391-6148